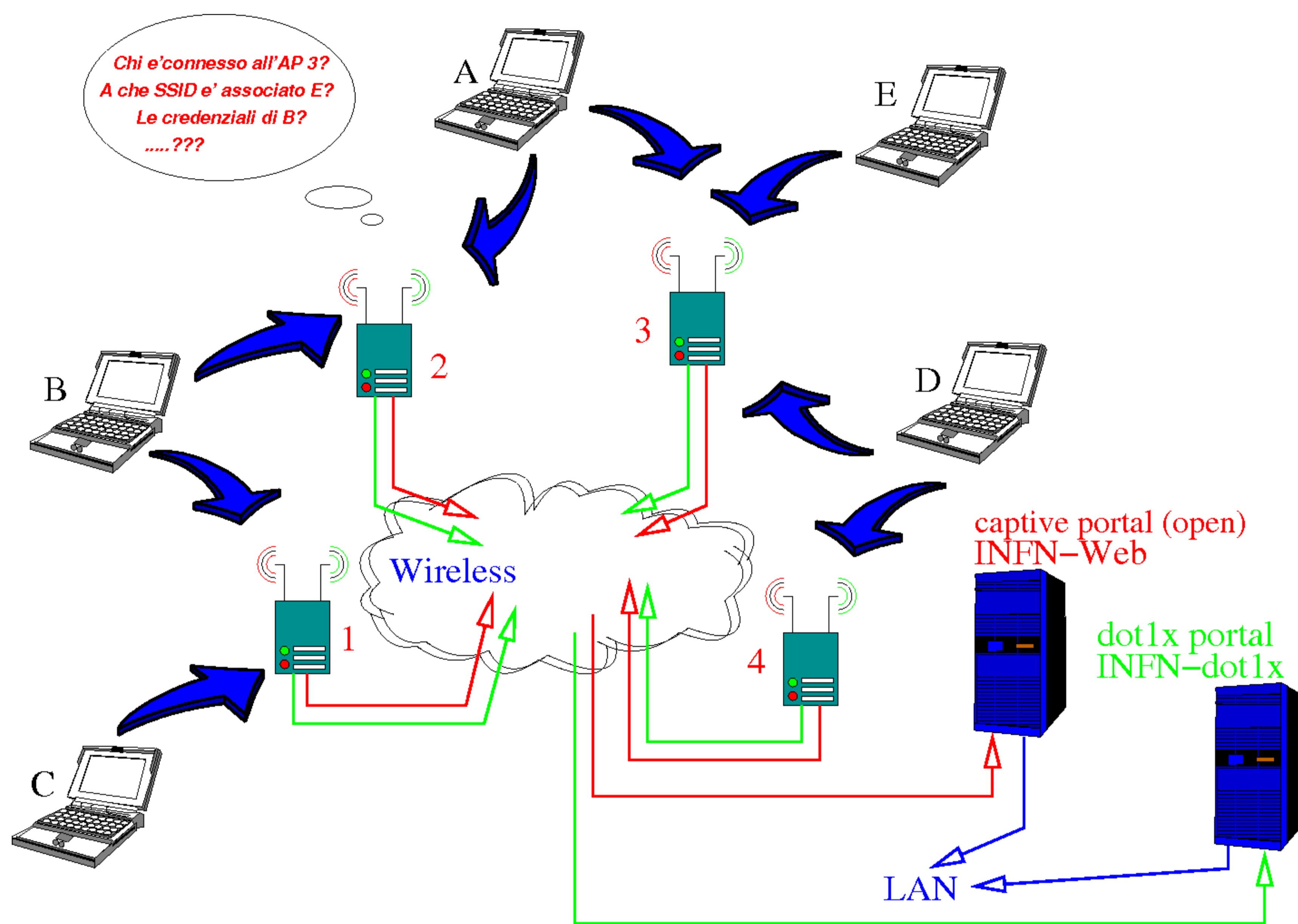


EYAWKAYWN

Everything You Always Wanted to Know About Your... Wireless Network

but were afraid to ask (...or know?)

Luca Carbone (luca.carbone@mib.infn.it) - Sezione di Milano Bicocca



EYAWKAYWN (aka EYA) e' un semplice ed efficace sistema di controllo e visualizzazione degli accessi ad una rete wireless TRIP-compliant basata su access point Cisco, ma facilmente, almeno in linea di principio (essendo basato solo su SNMP e strumenti open-source), adattabile ad H/W di altro tipo.

captive portal

- active leases
- dhcpd
- authorized clients
- extensible snmp agent

actLeases: 1.3.6.4.1.8072.1.3.2.4.1.2.1.97
actUsers: 1.3.6.4.1.8072.1.3.2.4.1.2.1.98

dot1x portal

- active leases
- dhcpd
- radius
- authorized clients
- extensible snmp agent

dot1xActLeases: 1.3.6.4.1.8072.1.3.2.4.1.2.1.99
dot1xActUsers: 1.3.6.4.1.8072.1.3.2.4.1.2.1.100

access point(s)

- snmp agent

EYAWKAYWN: php/perl SNMP data collector

A web-based script which *SNMP-queries* (on demand):

- dot1x portal (INFN-dot1x ssid)
- captive portal (INFN-Web ssid)
- every access point

and presents survey results

Browser screenshot: <https://novalis.mib.infn.it/eow/eow.php>

EYAWKAYWN - Everything You Always Wanted to Know About Your Wireless Network

user: Luca Carbone/Milano Bicocca - realm: eow

| user | mac | ip | logon time/lease time end | ap | ssid | ssid mac | vlan id | status |
|------------------------------|-------------------|----------------|---------------------------|--------|------------|-------------------|---------|-----------------------|
| Paolo_Nason/Milano Bicocca | 00:13:02:5d:17:66 | 172.17.12.103 | Wed May 2 17:07:12 2007 | airo06 | INFN-Web | 00:17:e0:0a:39:a1 | 1050 | assocAndAuthenticated |
| dario.menasce@mib.infn.it | 00:0f:3d:af:b5:6e | 172.17.14.237 | Wed May 2 08:12:20 2007 | airo02 | INFN-Web | 00:17:94:fd:c6:b1 | 1050 | assocAndAuthenticated |
| daniele.pedriani@mib.infn.it | 00:18:de:d7:c7:a0 | 172.17.11.114 | Wed May 2 17:04:13 2007 | airo02 | INFN-Web | 00:17:94:fd:c6:b1 | 1050 | assocAndAuthenticated |
| giuseppe.gorini@mib.infn.it | 00:11:24:8e:7b:3c | 172.17.14.231 | Wed May 2 15:39:13 2007 | airo06 | INFN-dot1x | 00:17:e0:0a:39:a1 | 100 | assocAndAuthenticated |
| luca.carbone@mib.infn.it | 00:12:f0:07:d3:26 | 172.17.15.252 | Wed May 2 17:53:22 2007 | airo10 | INFN-dot1x | 00:19:e8:d8:ec:51 | 100 | assocAndAuthenticated |
| unknown | 00:11:24:a8:f6:6f | 172.17.13.53 | Wed May 2 17:40:50 2007 | airo07 | INFN-Web | 00:18:18:2d:f1:01 | 1050 | assocAndAuthenticated |
| unknown | 00:11:24:90:e7:db | 192.168.250.11 | Thu Jan 1 01:00:00 1970 | airo09 | INFN-Web | 00:19:e8:d8:fd:61 | 1050 | assocAndAuthenticated |
| unknown | 00:12:f0:02:5e:76 | 172.17.10.133 | Wed May 2 17:43:53 2007 | airo09 | INFN-Web | 00:19:e8:d8:fd:61 | 1050 | assocAndAuthenticated |

Browser screenshot: <https://novalis.mib.infn.it/eow/eow.php>

EYAWKAYWN - Everything You Always Wanted to Know About Your Wireless Network

user: Luca Carbone/Milano Bicocca - realm: eow

| user | mac | ip | logon time/lease time end | ap | ssid | ssid mac |
|-------------------------------|-------------------|----------------|---------------------------|--------|------------|-------------------|
| Paolo_Nason/Milano Bicocca | 00:13:02:5d:17:66 | 172.17.12.103 | Wed May 2 17:07:12 2007 | | | |
| dario.menasce@mib.infn.it | 00:0f:3d:af:b5:6e | 172.17.14.237 | Wed May 2 08:12:20 2007 | airo02 | INFN-Web | 00:17:94:fd:c6:b1 |
| daniele.pedriani@mib.infn.it | 00:18:de:d7:c7:a0 | 172.17.11.114 | Wed May 2 17:04:13 2007 | airo02 | INFN-Web | 00:17:94:fd:c6:b1 |
| jack.tamigi@mib.infn.it | 00:19:d2:05:7a:2e | 172.17.11.48 | Wed May 2 17:30:18 2007 | airo10 | INFN-Web | 00:19:e8:d8:ec:51 |
| giuseppe.gorini@mib.infn.it | 00:11:24:8e:7b:3c | 172.17.14.231 | Wed May 2 15:39:13 2007 | | | |
| alberto.zaffaroni@mib.infn.it | 00:13:ce:08:f5:30 | 172.17.18.251 | Wed May 2 15:11:32 2007 | airo06 | INFN-dot1x | 00:17:e0:0a:39:a1 |
| luca.carbone@mib.infn.it | 00:12:f0:07:d3:26 | 172.17.15.252 | Wed May 2 17:53:22 2007 | airo10 | INFN-dot1x | 00:19:e8:d8:ec:51 |
| unknown | 00:11:24:a8:f6:6f | 172.17.13.53 | Wed May 2 17:40:50 2007 | airo07 | INFN-Web | 00:18:18:2d:f1:01 |
| unknown | 00:11:24:90:e7:db | 192.168.250.11 | Thu Jan 1 01:00:00 1970 | airo09 | INFN-Web | 00:19:e8:d8:fd:61 |
| unknown | 00:12:f0:02:5e:76 | 172.17.10.133 | Wed May 2 17:43:53 2007 | airo09 | INFN-Web | 00:19:e8:d8:fd:61 |

Client info AP/SSID info La situazione a Bicocca alle ~17:00 del 2 maggio...

EYAWKAYWN permette di controllare molto facilmente lo stato della rete Wireless 'in tempo reale'; nonostante sia, per il momento, poco piu' di un interessante esercizio di programmazione 'trasversale', si e' gia' dimostrato di una certa utilita' (soprattutto in occasione di conferenze e/o meeting). E' ovviamente ancora in evoluzione (e' prevista, per esempio, la possibilita' di collegarlo al sistema di collezione dei dati di traffico attualmente in produzione), e non pretende di sostituire un sistema di gestione e controllo proprietario; cionondimeno, essendo interamente basato su strumenti open source, potrebbe rappresentare, con le opportune modifiche ed estensioni, una valida alternativa a basso costo ai sistemi proposti dai vari vendor (in genere legati ad una certo specifico prodotto e/o architettura).

... e una decina di minuti dopo

Done novalis.mib.infn.it V-2007 - il Sire fecit on OODraw